

our service alone could make you our customer



Models available completely UL listed to U.S. and Canadian safety standards. Please call for details of models eligible to bear the UL mark.

SELF-CONTAINED COMPACTORS

Designed and engineered for volume usage in

LARGE RESTAURANTS
CONDOMINIUMS
MALLS • HOTELS
SUPERMARKETS
INDUSTRIAL PLANTS

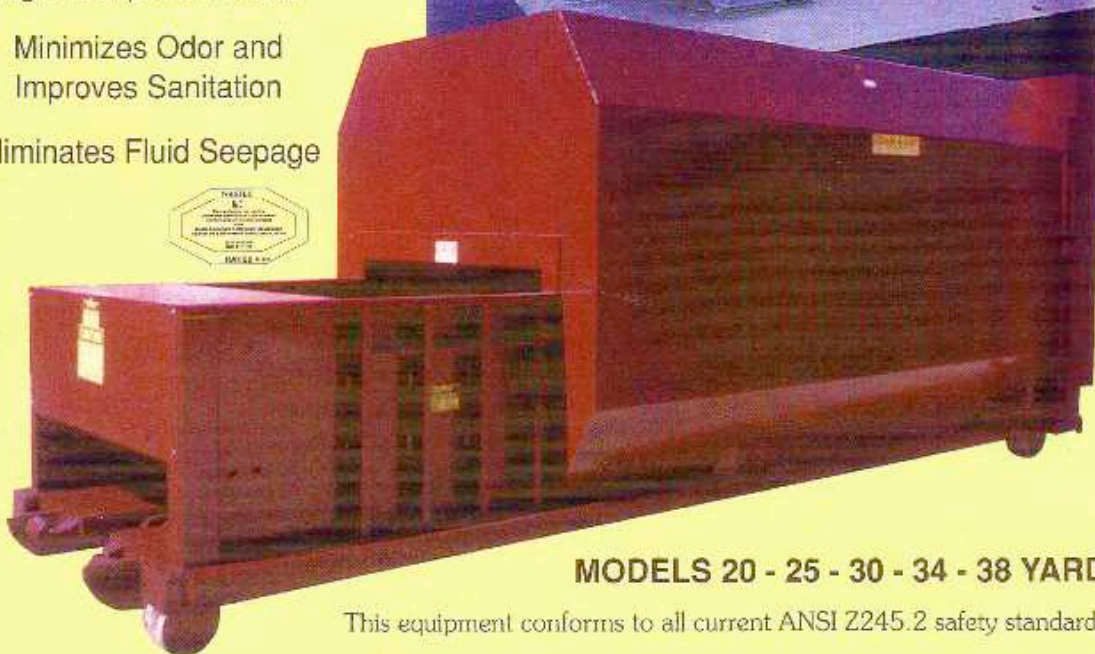
PHOTO AT RIGHT SHOWS A THROUGH-THE-WALL INSTALLATION OF A SELF-CONTAINED COMPACTOR FEATURING:

- BREAK-A-WAY CLUTE FOR QUICK HAULER CHANGEDOUT
- COMPLETE SECURITY - NO PILFERAGE
- UNIQUE DESIGN KEEPS RAIN OUT
- GUIDE SYSTEM ENSURES ACCURATE POSITIONING, HAUL AFTER HAUL

Reduces Refuse Pickups
High-Compaction Ratio

Minimizes Odor and
Improves Sanitation

Eliminates Fluid Seepage



MODELS 20 - 25 - 30 - 34 - 38 YARD

This equipment conforms to all current ANSI Z245.2 safety standards

Rental and Leasing Program Available

Parts and Labor are Warranted for One Year
against materials and workmanship under normal usage.

J.V. MANUFACTURING, INC.

BALERS • COMPACTORS • CONTAINERS • TRANSFER STATIONS

701 Highway 265-S P.O. Box 229 (501) 751-7320

Phone 1-800-678-7320 FAX (501) 751-7774

SPRINGDALE, ARKANSAS 72765-0229

www.cram-a-lot.com

DISTRIBUTED BY:

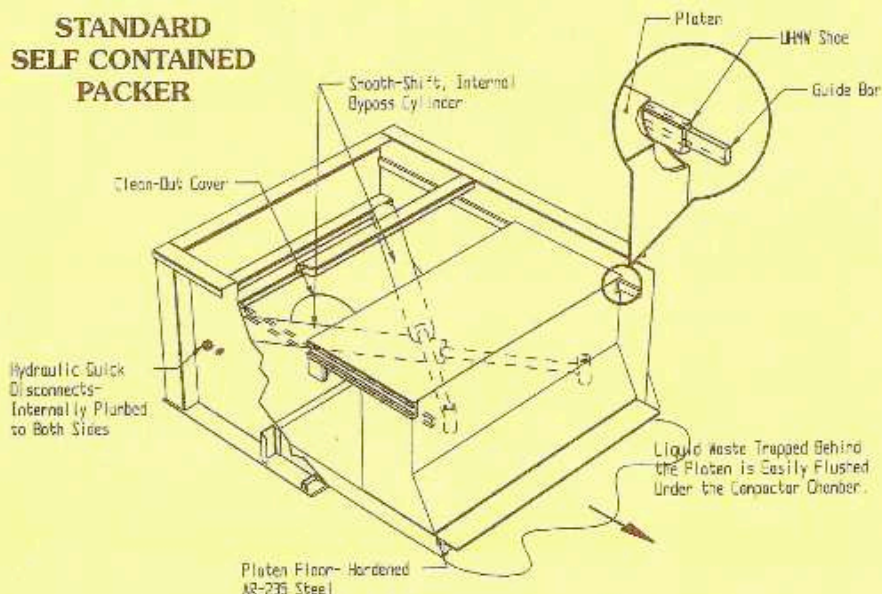
“equipping the world for a better environment”

CRAM-A-LOT®

SOLID WASTE AND RECYCLING EQUIPMENT



STANDARD SELF CONTAINED PACKER



STANDARD FEATURES

- Remote Power Unit with 10' Hose & Quick Disconnects
- UL-listed Control Panel
- Door Seal with Adjustable Hinges
- Double End Universal Hook-up

OPTIONAL EQUIPMENT

- > Full-container Light
- > Advance-warning Light
- > Fluid-filled Pressure Gauge
- > Remote Controls
- > Multi-cycle Controls
- > Programmable Controlled Systems
- > Oil Heater
- > Spray Deodorizer Unit
- > Open Hopper-(for ground or dock loading)
- > Fully Enclosed Hopper with door
- > Through-the-wall Installation Kits
- > Safety Interlock for a door or gate
- > Hydraulic Cart-dump Systems

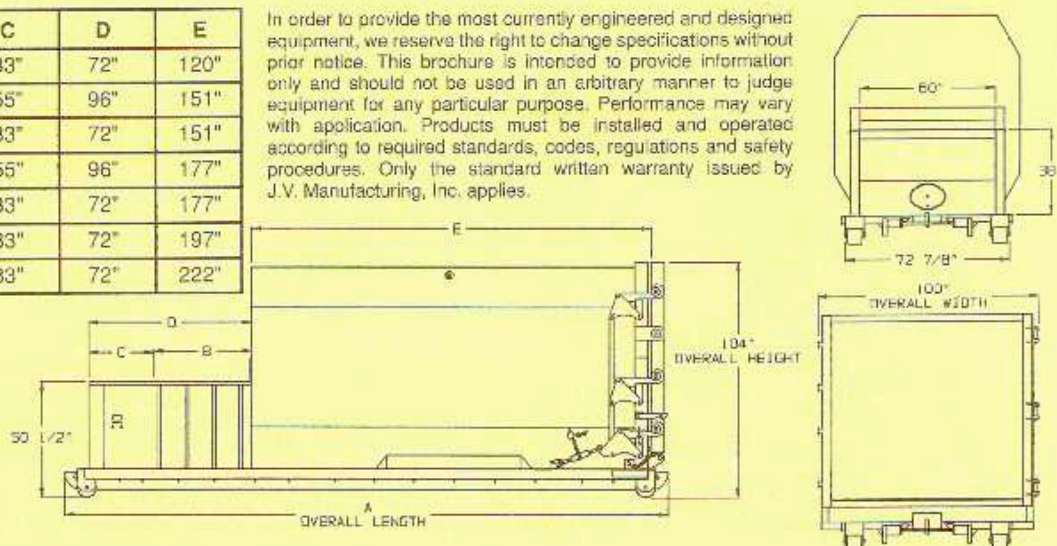
SPECIFICATIONS	SC-T2-20	SC-02-25	SC-T2-25	SC-02-30	SC-T2-30	SC-T2-34	SC-T2-38
Charge Box Capacity	2 cubic yards	2 cubic yards	2 cubic yards	2 cubic yards	2 cubic yards	2 cubic yards	2 cubic yards
WASTEC Rating	1.52	1.31	1.52	1.31	1.52	1.52	1.52
Clear Top Opening	41" x 58"	34" x 58"	41" x 58"	34" x 58"	41" x 58"	41" x 58"	41" x 58"
Cycle Time	42 sec.	37 sec.	42 sec.	37 sec.	42 sec.	42 sec.	42 sec.
Total Force, Normal	40,600 lbs.	39,200 lbs.	40,600 lbs.	39,200 lbs.	40,600 lbs.	40,600 lbs.	40,600 lbs.
Maximum	48,800 lbs.	47,100 lbs.	48,800 lbs.	47,100 lbs.	48,900 lbs.	48,800 lbs.	48,900 lbs.
Ram Face Pressure, Normal	23.3 psi	22.5 psi	23.3 psi	22.5 psi	23.3 psi	23.3 psi	23.3 psi
Maximum	28.0 psi	27.0 psi	28.0 psi	27.0 psi	28.0 psi	28.0 psi	28.0 psi
Ram Face Dimension, W x H	60" x 29"	60" x 29"	60" x 29"	60" x 29"	60" x 29"	60" x 29"	60" x 29"
Ram Penetration	8"	8"	8"	8"	8"	8"	8"
Electric Motor-3 Phase-208-230/460 VAC	10 hp	10 hp	10 hp	10 hp	10 hp	10 hp	10 hp
Pump Capacity	10-1/2 gpm	10-1/2 gpm	10-1/2 gpm	10-1/2 gpm	10-1/2 gpm	10-1/2 gpm	10-1/2 gpm
Hydraulic Reservoir Capacity	22 gal.	22 gal.	22 gal.	22 gal.	22 gal.	22 gal.	22 gal.
Hydraulic Cylinder, Bore	two-4"	5"	two-4"	5"	two-4"	two-4"	two-4"
Stroke	34"	40"	34"	40"	34"	34"	34"
Rod Size	2"	2 1/4"	2"	2 1/4"	2"	2"	2"
Operating Pressure, Normal	2000 psi	2000 psi	2000 psi	2000 psi	2000 psi	2000 psi	2000 psi
Maximum	2400 psi	2400 psi	2400 psi	2400 psi	2400 psi	2400 psi	2400 psi
Base Unit Weight	9,200 lbs.	10,060 lbs.	9,440 lbs.	11,000 lbs.	10,260 lbs.	10,900 lbs.	12,000 lbs.
Construction, Container Sides	3/16" plate	3/16" plate	3/16" plate	3/16" plate	3/16" plate	3/16" plate	3/16" plate
Container Floor	3/16" plate	3/16" plate	3/16" plate	3/16" plate	3/16" plate	3/16" plate	1/4" plate
Understructure Rails	ST-6"x2"x1/4" tubing	ST-6"x2"x1/4" tubing	ST-6"x2"x1/4" tubing	ST-6"x2"x1/4" tubing	ST-6"x2"x1/4" tubing	ST-6"x2"x1/4" tubing	6"x2"x3/8" tubing
Breaker Bar	6"x6"x1" angle	6"x6"x1" angle	6"x6"x1" angle	6"x6"x1" angle	6"x6"x1" angle	6"x6"x1" angle	6"x6"x1" angle
Compactor Floor	1/2" plate	1/2" plate	1/2" plate	1/2" plate	1/2" plate	1/2" plate	1/2" plate
Ram Top	3/16" plate	3/16" plate	3/16" plate	3/16" plate	3/16" plate	3/16" plate	3/16" plate
Ram Sides	3/16" plate	3/16" plate	3/16" plate	3/16" plate	3/16" plate	3/16" plate	3/16" plate
Ram Bottom	1/2" AR plate	1/2" AR plate	1/2" AR plate	1/2" AR plate	1/2" AR plate	1/2" AR plate	1/2" AR plate
Nominal Container Capacity	20 cubic yards	25 cubic yards	25 cubic yards	30 cubic yards	30 cubic yards	34 cubic yards	38 cubic yards

Dimensions	A	B	C	D	E
SC-T2-20	17'-6"	39"	33"	72"	120"
SC-02-25	21'-10"	35"	55"	96"	151"
SC-T2-25	20'-5"	39"	33"	72"	151"
SC-02-30	23'-11"	35"	55"	96"	177"
SC-T2-30	22'-3"	39"	33"	72"	177"
SC-T2-34	23'-5"	39"	33"	72"	197"
SC-T2-38	25'-5"	39"	33"	72"	222"

In order to provide the most currently engineered and designed equipment, we reserve the right to change specifications without prior notice. This brochure is intended to provide information only and should not be used in an arbitrary manner to judge equipment for any particular purpose. Performance may vary with application. Products must be installed and operated according to required standards, codes, regulations and safety procedures. Only the standard written warranty issued by J.V. Manufacturing, Inc. applies.

ELECTRICAL FEATURES

- > UL-listed Control Panel
- > Only Major Brand Electrical Components Used
- > Weather-tight Electrical Enclosure
- > No Electrical Connection to Compactor Unit



Manufacturing a full line of CRAM-A-LOT® Solid Waste Equipment